



# The CAM Force

We push machining to the limit

“OPEN MIND is  
not just our name,  
it’s our attitude.”

Volker Nesehörer,  
CEO of OPEN MIND Technologies AG



# Pioneer

It had to start somewhere.  
The beginning of OPEN MIND.

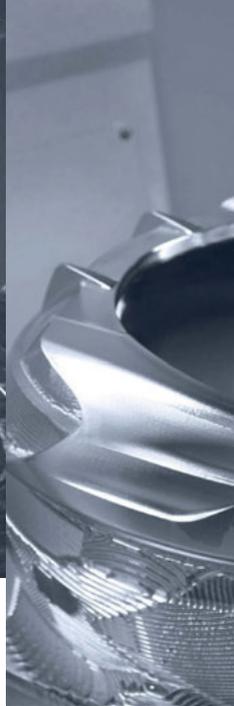
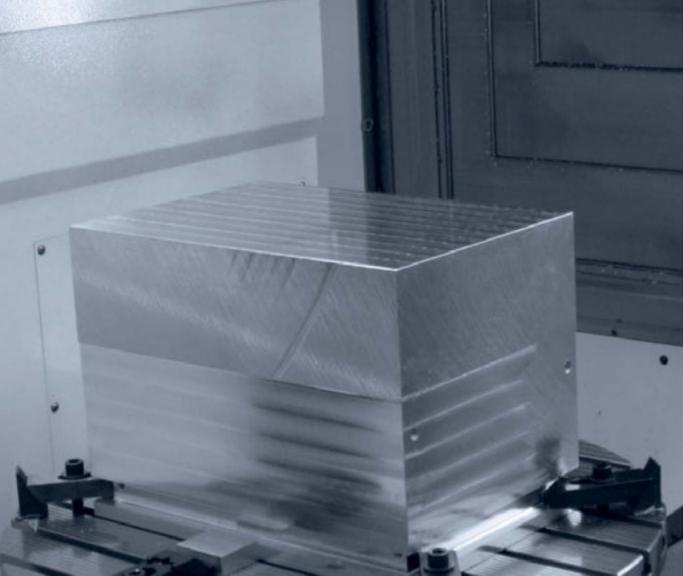
## **Unleashing potential**

Back in the mid-1990s, many areas of production realised that although they had powerful 5axis machines, they simply could not fully exploit the capabilities of the machine with conventional CAM systems. It was this situation that motivated the tech-savvy founders of OPEN MIND to develop unique CAM functionalities. The company has since grown into a leading developer of CAM/CAD software and postprocessors for designing and manufacturing complex moulds and parts.

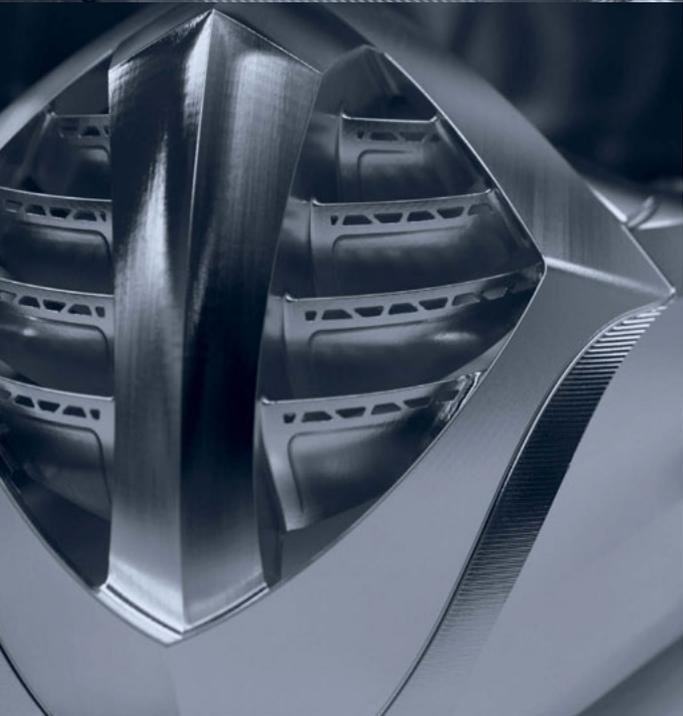
## **Global success**

Our customers come from all around the world and from a range of sectors, including engineering, tooling, prototyping and mould manufacturing as well as the motor sports, aerospace, energy, medical industries, and watches and jewellery sectors, to name but a few. Users appreciate the significant cost savings and increases in efficiency in addition to the excellent machining results.





We push machining to the limit





# Secrets to success

## What makes OPEN MIND different?

### **Strong focus on CAM**

Three magic letters drive us forward: CAM. CAM is and always will be our top priority. As a result, we made a conscious decision to focus exclusively on CAM/CAD. We aim for nothing less than to develop one of the world's leading CAM/CAD systems for programming CNC machines: *hyperMILL*®.

### **CAM 'Made in Germany'**

The actual core of *hyperMILL*® does not consist solely of neatly arranged bits and bytes and logical structures. The passion and expertise of our mathematicians, CNC and IT experts from Germany are just one of the secrets to our success. What's more, we are growing organically and not through acquisitions. We want to be the best, not the biggest.

### **Trend-setting CAM innovations**

Our strong focus on CAM topics as well as an open attitude to new technologies has resulted in trend-setting CAM innovations, which make it significantly easier to achieve challenging quality, time and cost targets. To this end, OPEN MIND has technological alliances together with renowned providers of CAD systems, machine tools, cutting tools and controllers.

# Seven reasons to choose *hyperMILL*<sup>®</sup>:

- 1 Future-proof investment
- 2 Top performance
- 3 Excellent operability
- 4 Efficient and reliable processes
- 5 Optimised Workflow
- 6 Superb quality
- 7 Everything is automated



“We look for  
and find unique strategies  
for efficient machining.”

Dr. Josef Koch, CTO, OPEN MIND Technologies AG

# Competitive edge

## What turns a CAM system into *hyperMILL*®?

### **Unique CAM strategies that are easy to operate**

Many people initially connect *hyperMILL*® with unique 5axis CAM strategies. This can be attributed to our success as a 5axis pioneer. Yet our current market success comes as a result of our ability to offer a complete, modular CAM solution for 2D, 3D, 5axis, HSC/HPC and turning processes as well as special applications. Each strategy is unique and easy to operate.

### **Optimised postprocessors**

Powerful right up to and including program output. We consider postprocessor technology to be one of our core competencies. That's why we develop all postprocessors and perfectly tailor them to the machines – we push machining to the limit.

### **Further automations**

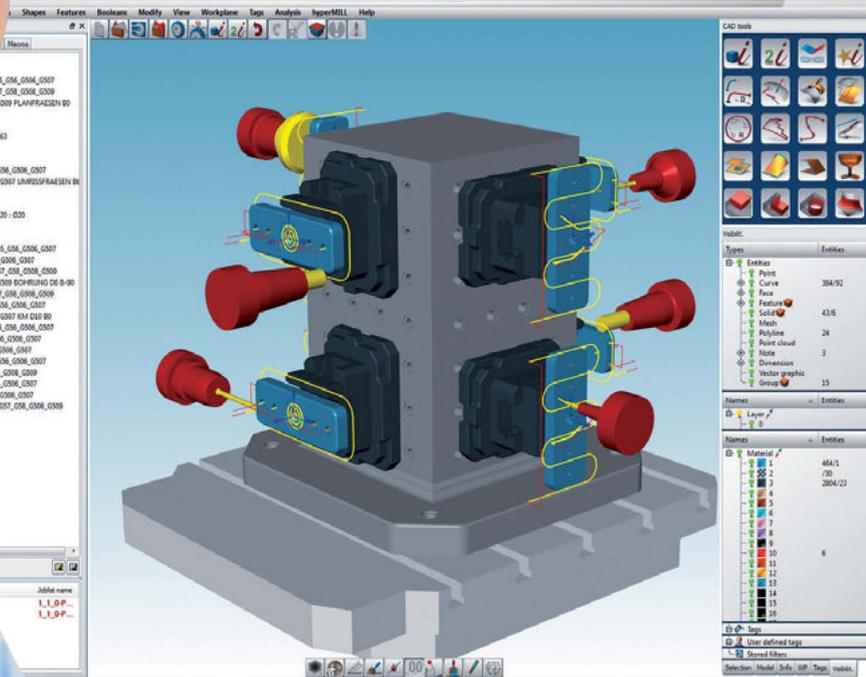
It is already possible to automatically program drill holes, pockets and part families. In addition to huge time savings, companies also benefit from established, standardised process workflows – best practices that can be reproduced.

### **CAD for CAM**

CAM programmers use CAD systems differently from most engineers and designers. *hyperCAD*®-S from OPEN MIND is therefore designed to meet the demands of CAM users.

# Today it's a 3axis job. Tomorrow maybe 5? – You never know.

*hyperMILL*® from OPEN MIND will help you improve operational performance, both from technological and financial point of view.





# Safety

## Feeling secure knowing *hyperMILL*<sup>®</sup> is installed

### **Safer processes**

Safety cannot be seen. That's why we have provided for it: Data is transferred safely and reliably and prepared specifically for CAM. Safe inputs during programming and collision-free manufacturing processes ensure the user feels secure when starting the machine program, even during the set-up.

### **More than investment security**

*hyperMILL*<sup>®</sup> ensures more than just investment security and seamless integration into the company's IT structure. It offers you comfort in the knowledge that it can also manufacture the requested components and tools on the machine. The CAM system does not distinguish between easy and challenging manufacturing applications.

### **Securing a competitive edge**

*hyperMILL*<sup>®</sup> also allows our customers to secure a competitive edge. It significantly reduces programming and machining times, while increasing quality and output. All of this has a very positive effect on manufacturing costs.

# Our promise

## Experts rely on the quality of our brand

### **Perfect solutions**

OPEN MIND offers CAM solutions and services that perfectly match customer needs while simultaneously meeting the most demanding requirements. Customers can always rely on getting the best out of their machines in a simple, quick manner. Our technology immediately brings new customers into the future.

### **The results speak for themselves**

Our customers are highly impressed with the results *hyperMILL*® delivers when machining a programmed component. Surfaces and edges are visibly smoother and cleaner. This is high-precision machining in a nutshell. It is possible to reliably process hard-to-reach areas. We are not the only ones in awe. Programmers and machine operators all over the world are impressed, too.

### **Highly reliable in continuous operation**

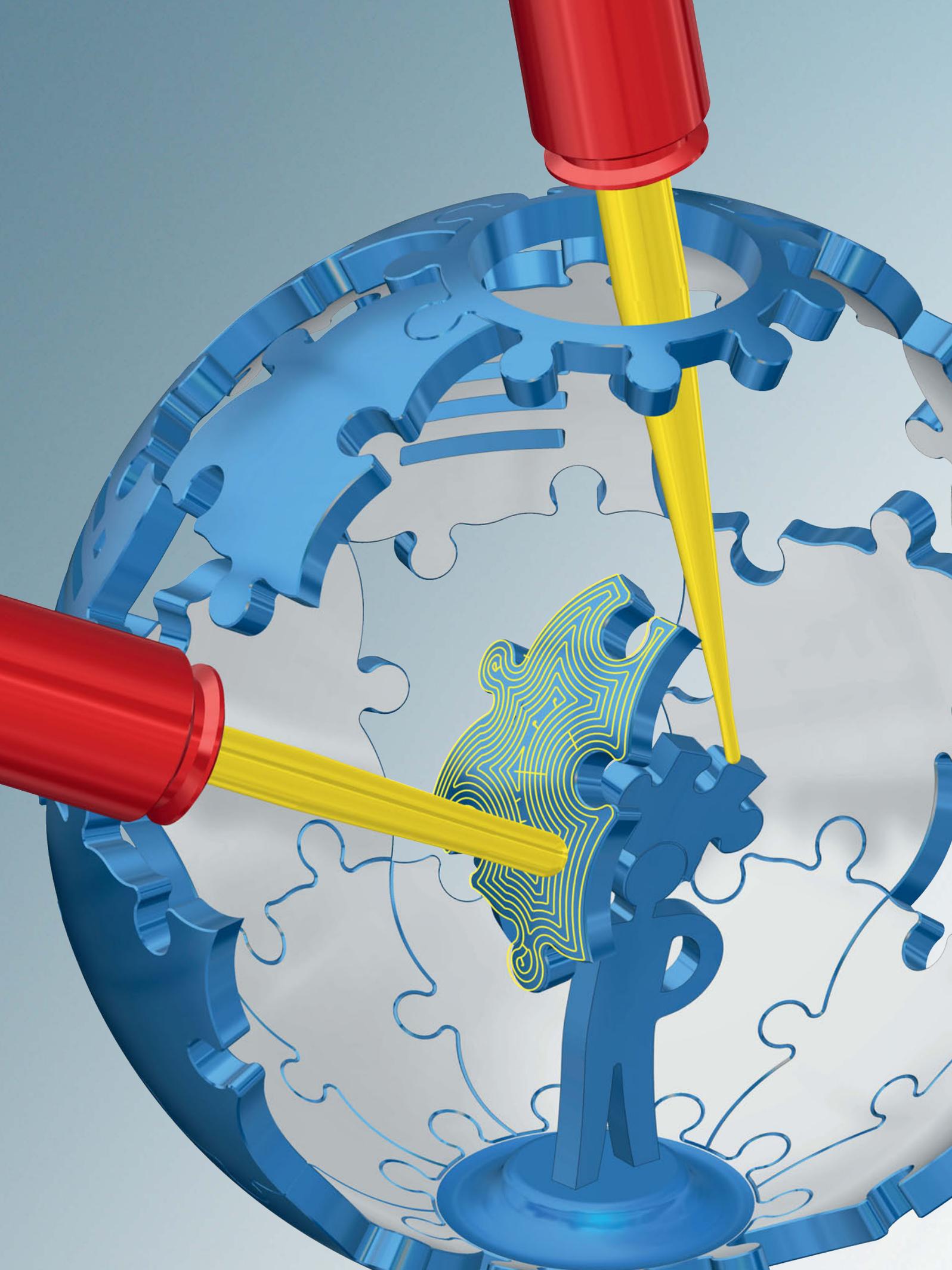
OPEN MIND is a responsible CAM manufacturer. All functionalities are extensively tested both individually and in complex interaction with other functionalities and systems and optimally aligned with one another. For this reason, our CAM solution allows users to work with a high degree of reliability and precision.



# Perfect. Precise. Programming.

Our brands are attractive  
and guarantee the very highest level  
of customer satisfaction.





# The future

## Always up to date

### **A sense of responsibility for competitiveness**

Maintaining competitiveness in the long term is a big challenge. As a result, it is necessary to constantly adjust CAM/CAD technology to new market requirements. OPEN MIND has proved to be an innovative pioneering spirit from the very beginning and demonstrated its openness to new topics.

### **Open to innovation**

The OPEN MIND experts pursue dialogue, gather information and expand their base of experience through contact with many manufacturers and other market players. They search for, examine, evaluate and, where possible, successfully implement new technologies and trends for successful machining. This makes it possible to develop strategies for innovative types of tools for finishing operations and special procedures for programming new technologies, such as additive manufacturing.

### **Innovations to download**

OPEN MIND offers its clients a maintenance agreement that provides updated software releases together with numerous innovations, cutters, and enhancements.

Puzzle ball  
on YouTube



# Service

## We speak the language of users all over the world

### **Global presence: The home field advantage**

*hyperMILL*® is in demand on all of the key CAM markets in Europe, Asia and America. For this reason, OPEN MIND recruits its teams for the local branches from the respective country. All service employees have experience in the machine tool sector and receive ongoing training on site and at the German headquarters. The same applies to countries where OPEN MIND is represented by partners. This allows us to tailor our approach to national characteristics, provide valuable consulting services and offer reliable support.

### **Expert contact partners**

Customers who select *hyperMILL*®, one of the world's most modern and powerful CAM systems, expect a perfect service as well. We meet the highest demands. Our support employees are well trained and certified thanks to targeted training programs. Our competent and friendly contact partners are available to answer all of your questions relating to the easy-to-learn CAM solution. They develop solutions and provide valuable ideas for your employees as quickly as possible.

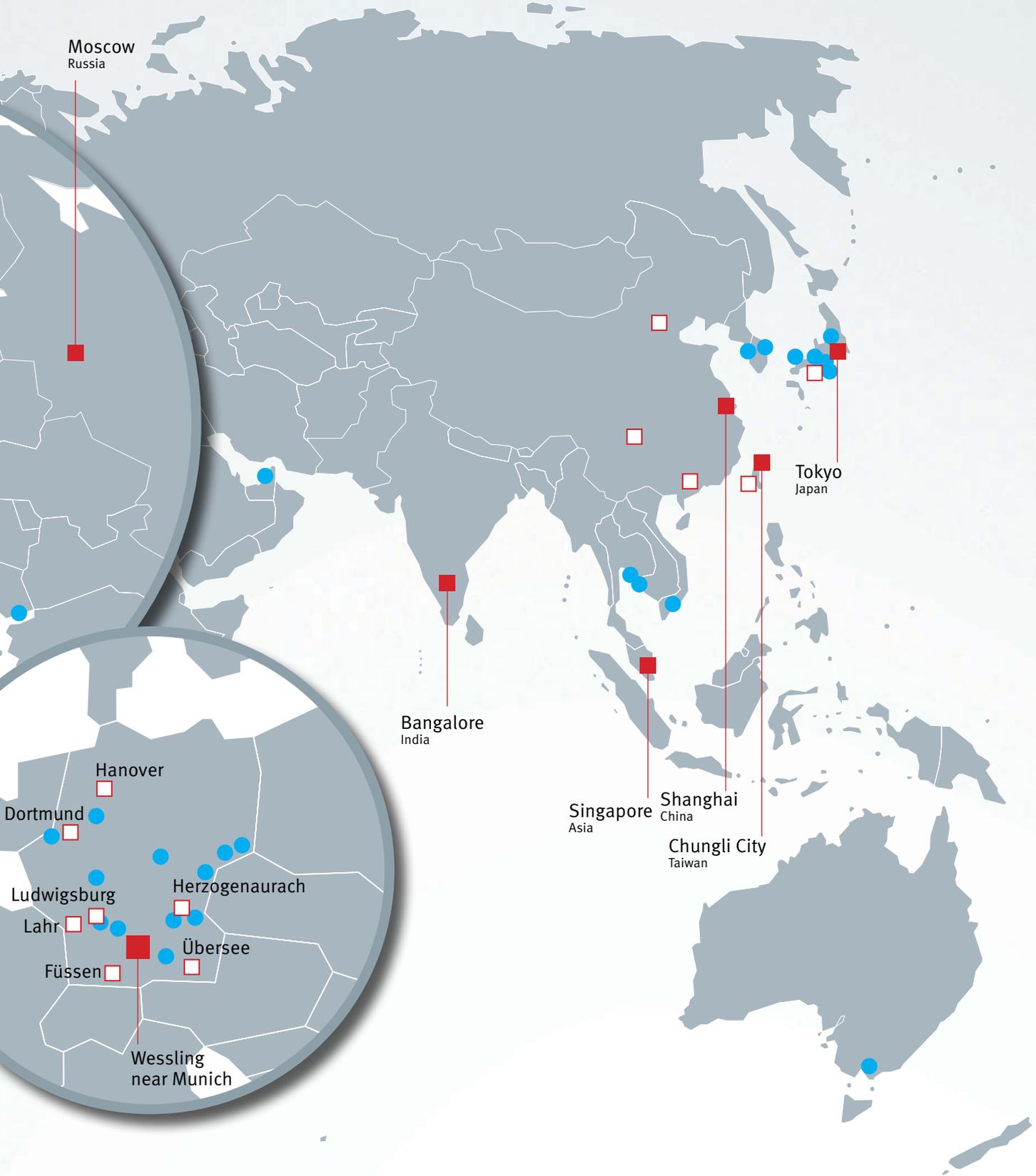


Headquarters in Wessling  
Germany

Boston  
Massachusetts



- Headquarters
- Subsidiary
- Branch office
- Sales partner





The following companies use *hyperMILL*® CAM software from OPEN MIND:

Adidas AG | Aeronamic | Alessi | AVIC HAIG | Benozzi | Borg Warner | Bosch | Braun | Chopard | Continental AG | Daishin | Dallara | Dentaurum | DESY | DLR | DMG Mori Seiki | DOCOL | ESO | Faurecia | Federal-Mogul | Festo | Fresenius | Gerresheimer | GKN Aerospace | Glashütte | GL Precision | Goodyear | Grupo Bocar | Hermle | Honda Engineering | Hoerbiger Gruppe | HPE COXA | Hyundai Motorsport | IHI | Kalyani Technologies | KHI (Kawasaki Heavy Industry) | Krumpolz | Liebherr | Linde AG | Lufthansa Technik AG | LuK | Magna Corporation | Mahle | Marchesini Group | Max-Planck-Institut | MECCANICA GN | MHI | MTU Friedrichshafen | NWS | Nobel Biocare | Ottobock | Paul Scherrer Institut | Perm Engine Company | Phoenix Contact | Polygona | Plansee Group | PP Polesie JV | PSA Peugeot Citroën | Rehau AG + Co | Roche Diagnostics GmbH | Rohde & Schwarz GmbH & Co. KG | SAINT-GOBAIN SEVA | SBW Group | Schaeffler | SGL Group | Siemens Power Generation | Sick AG | STAM | Starrag Group | Sumitomo | Swarovski | Under Armour | Veca | Volat | Volvo | VW | Webasto | Weber Manufacturing | WEFA | Wolpert | Xycarb Ceramics



We push machining to the limit

[www.openmind-tech.com](http://www.openmind-tech.com)